

KAYO

BARN DOOR INSTALLATION GUIDE

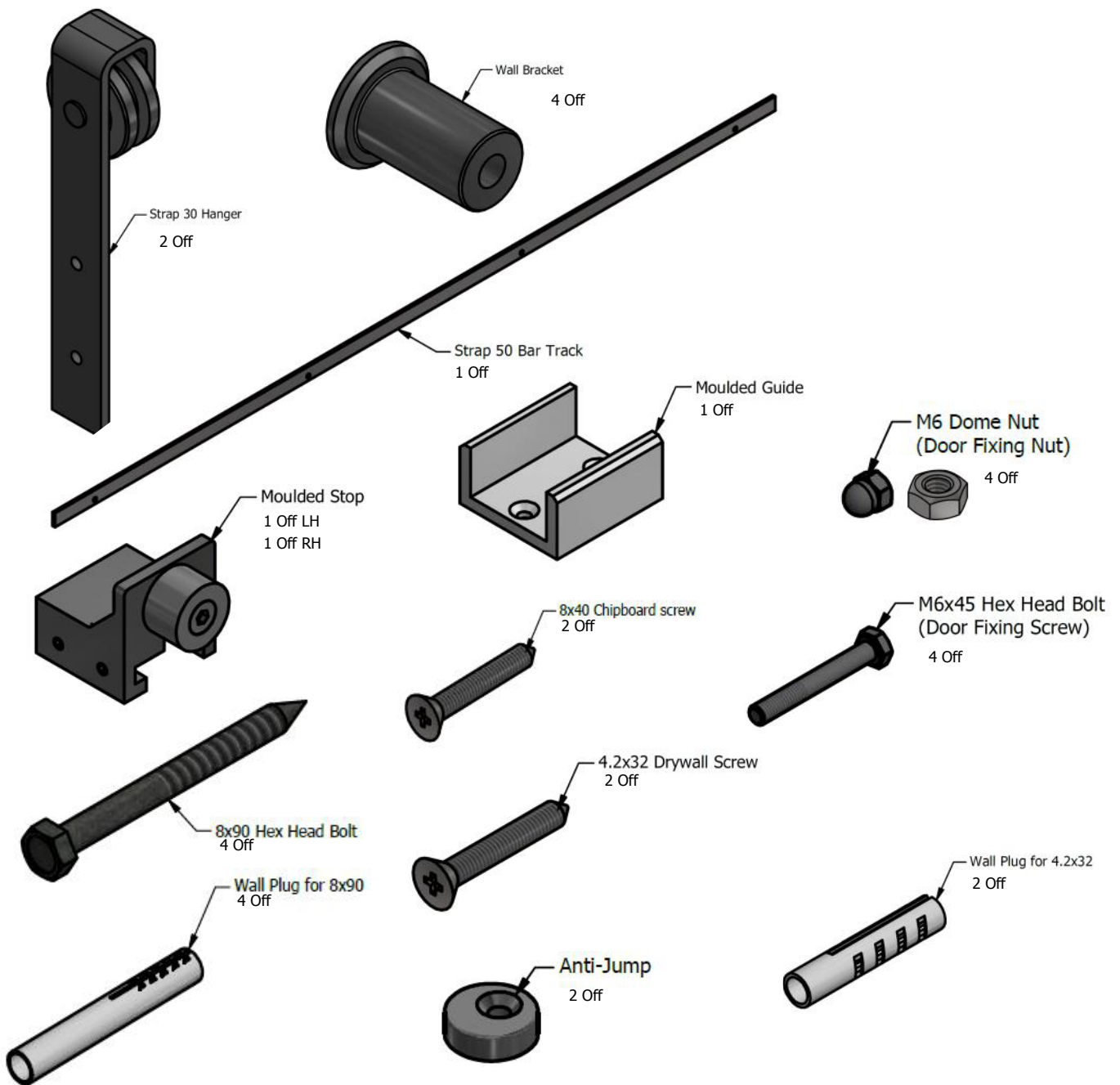


COMPONENTS

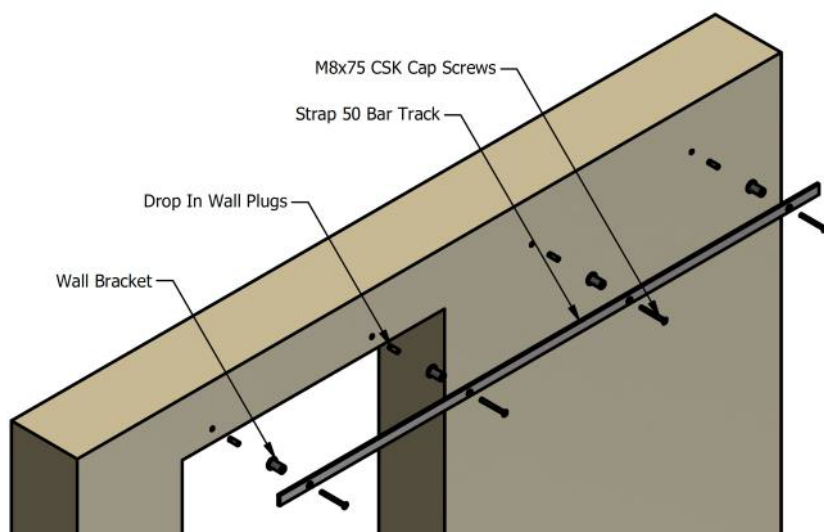


TOOLBOX

- M6 Allen Key
- M8 Allen Key
- M5 Star Screw Driver
- Builders Level
- Impact Drill
- Drill bits For Fixing Holes
- Ladder
- 8x40 Drywall Screws and Plugs



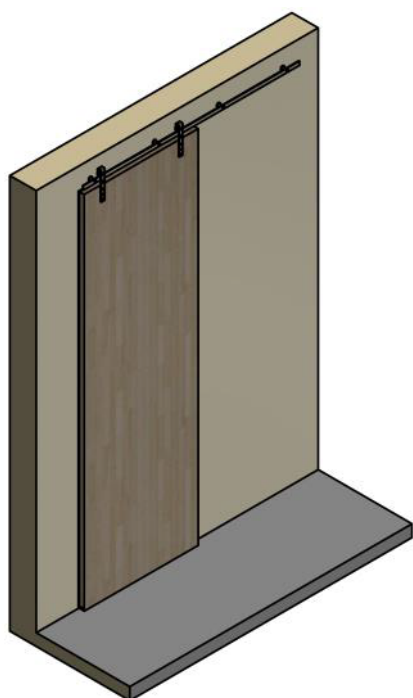
INSTALLATION INSTRUCTIONS



Step 1:

Prepare opening and support for side fixing track brackets according to the hole drilling detail on the track.

- Track comes pre-drilled for spacing. For bracket Height Calculation See last Page.



Step 2:

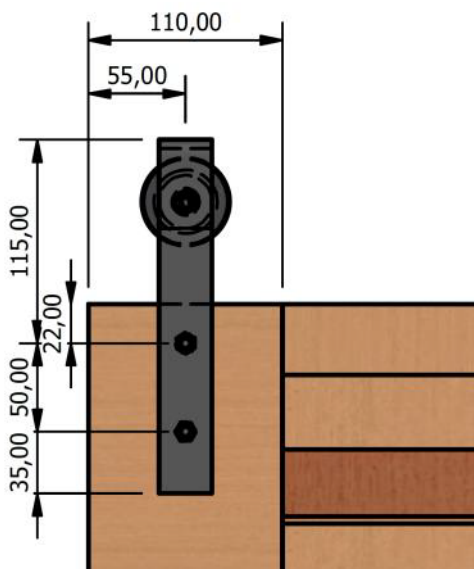
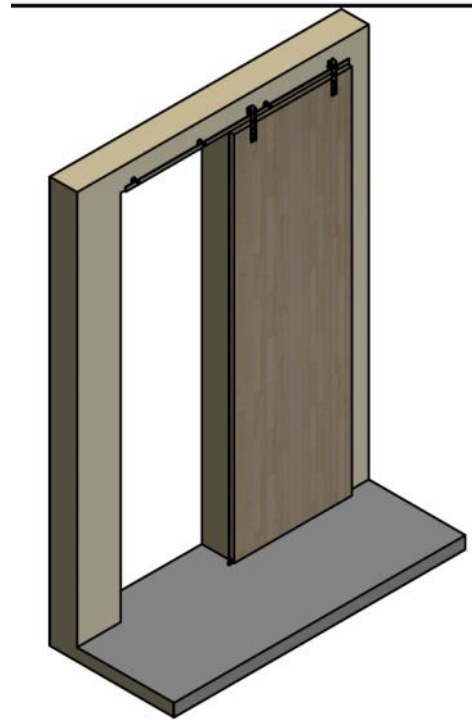
The track should be sufficient length to slide the door from its closed position.

i.e. 2 times the width of opening or door.

INSTALLATION INSTRUCTIONS

Step 3:

Position the track along the opening and mark off the position of the fixing brackets. Make sure that the track is high enough for the door to overlap the top of the opening.

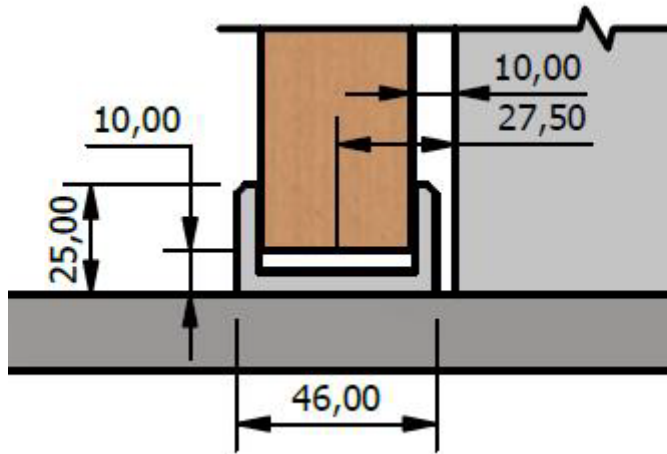


Step 4:

Using the screws provided, screw the strap hangers to the door using the pre-drilled spacings

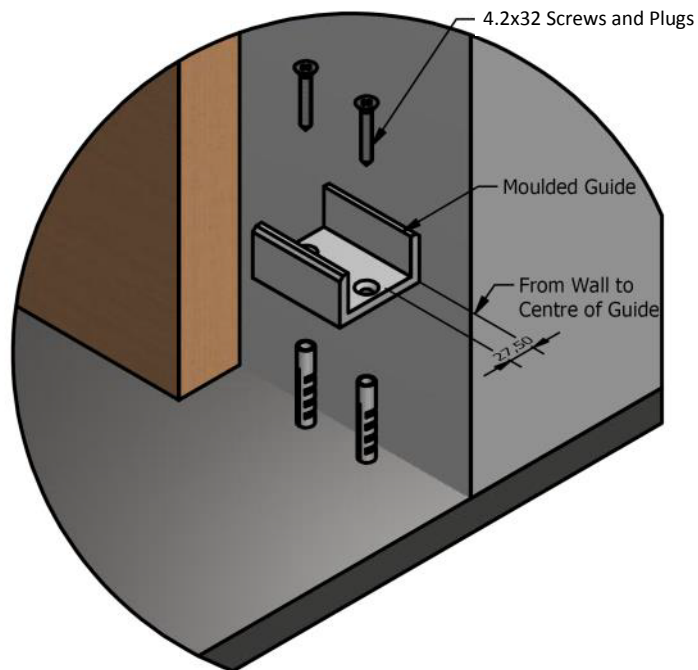


INSTALLATION INSTRUCTIONS

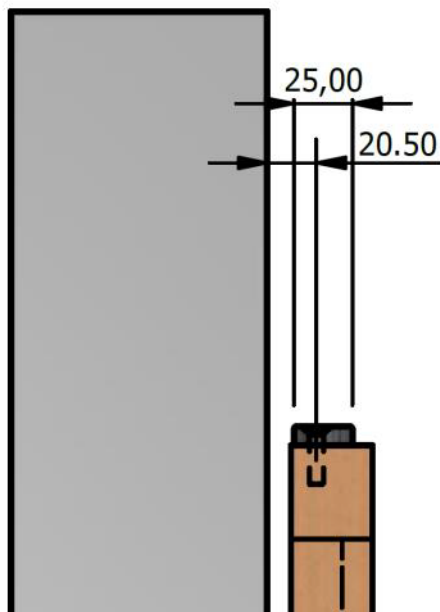


Door Guide Detail:

- Place guide at start of the opening ensuring the guide will always be engaged within the channel when the door is in both the open and Closed positions
- 10mm Gap at the bottom of the door
- 10mm Gap from wall to door
- Guide to be 27.5mm from wall to centre of guide in this case of a 35mm door.
- Guide is fixed with 8x32 Drywall Screw with Plugs

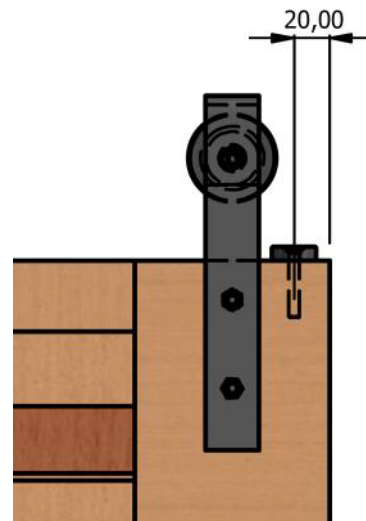


Anti - Jump Detail:



Placement of the Anti - Jumps will place them directly behind the hanger

- 8x40 Drywall Screws



INSTALLATION INSTRUCTIONS

Bracket positions and door size calculations

Bracket positions for fixing option 1

Door height (X) + bottom clearance(10mm) +
Top of door to centre of bracket(20mm).

$X + 10 + 20 =$ Centre of bracket from the ground

Eg. $2100 + 10 + 20$.

Therefore the centre of the bracket
must sit at 2130mm
from the ground.

