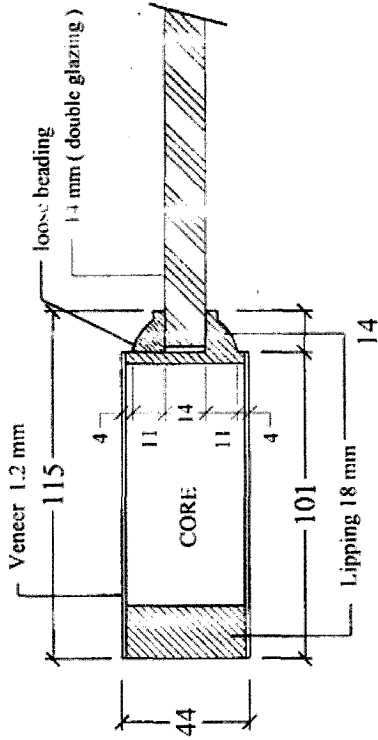
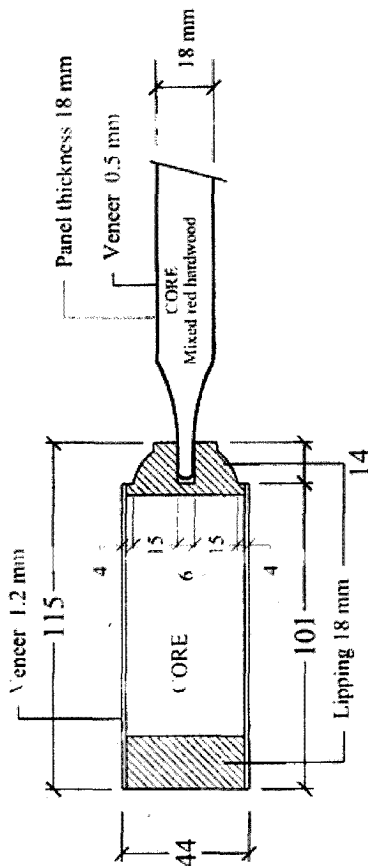


CONFIRMATION DESIGN

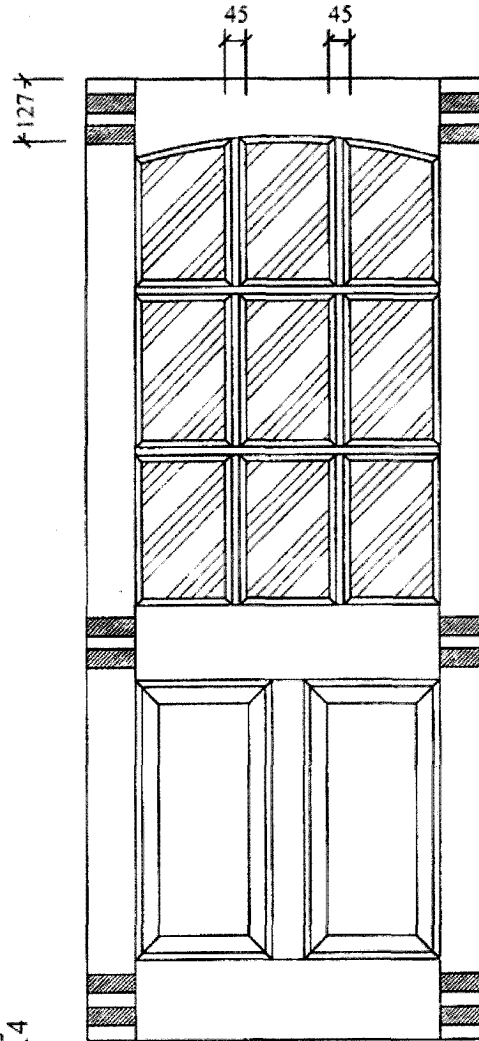
DETAIL PROFILE
section for glass



DETAIL PROFILE
section for panel



36"	198	198	198
34"	181.3	181.3	181.3
33"	172.7	172.7	172.7
32"	164.3	164.3	164.3
30"	147.3	147.3	147.3



180	550	180	283.7	175	1981 mm (78")
180	550	180	300.7	175	2032 mm (80")
180	550	180	317.7	175	2083 mm (82")
180	550	180	334.7	175	2134 mm (84")

115	218,5	95	218,5	115	762 (30")
115	244	95	244	115	813 (32")
115	256,5	95	256,5	115	838 (33")
115	269,5	95	269,5	115	864 (34")
115	294,5	95	294,5	115	914 (36")