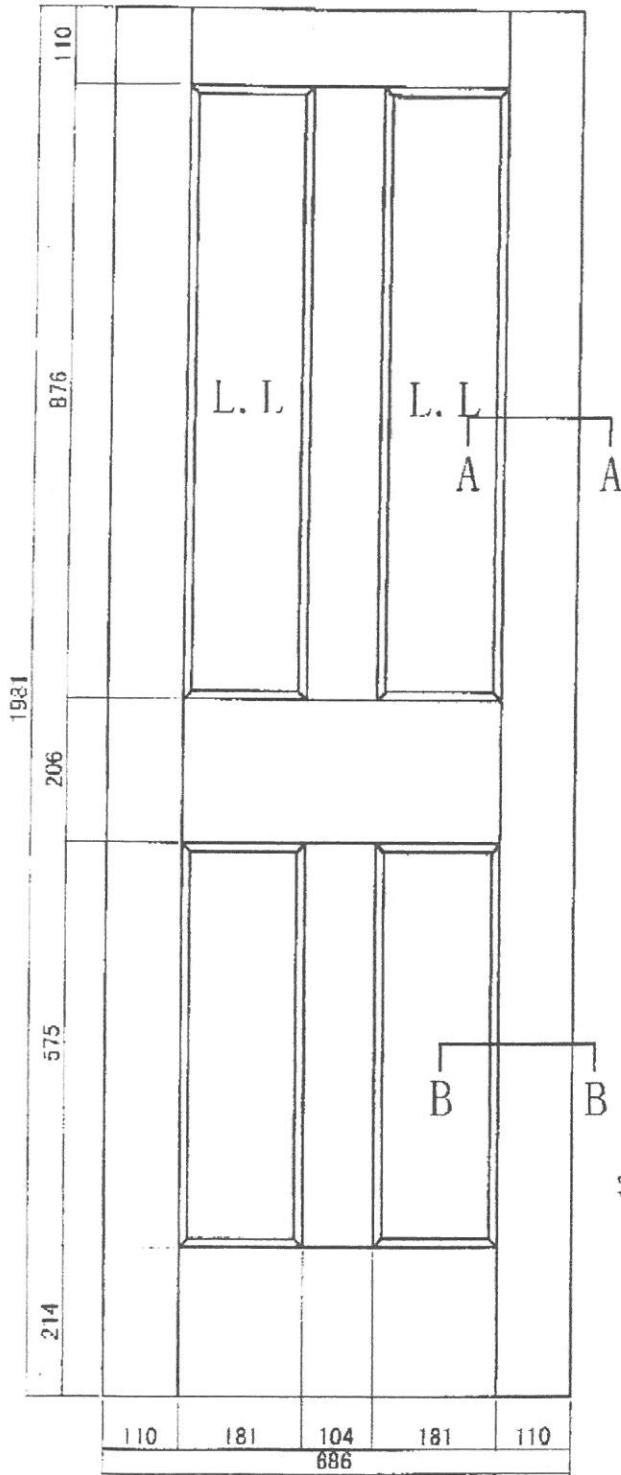
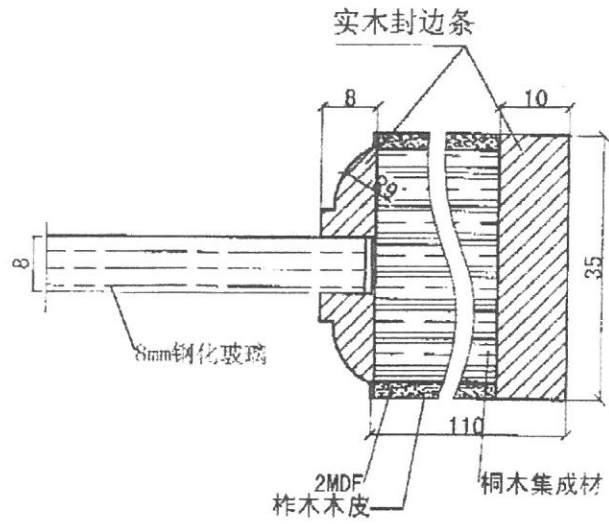


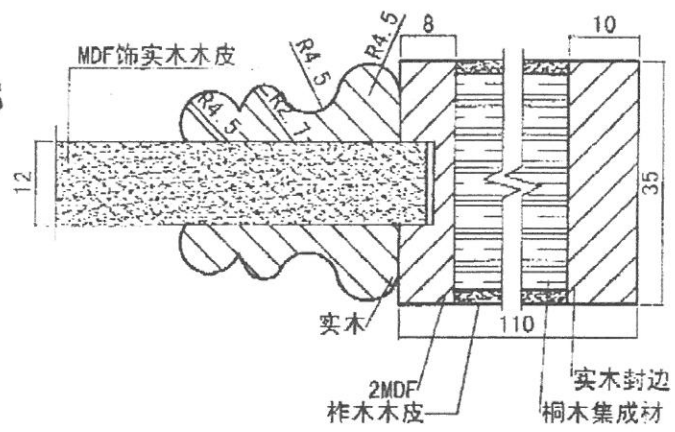
21



A-A 1:1

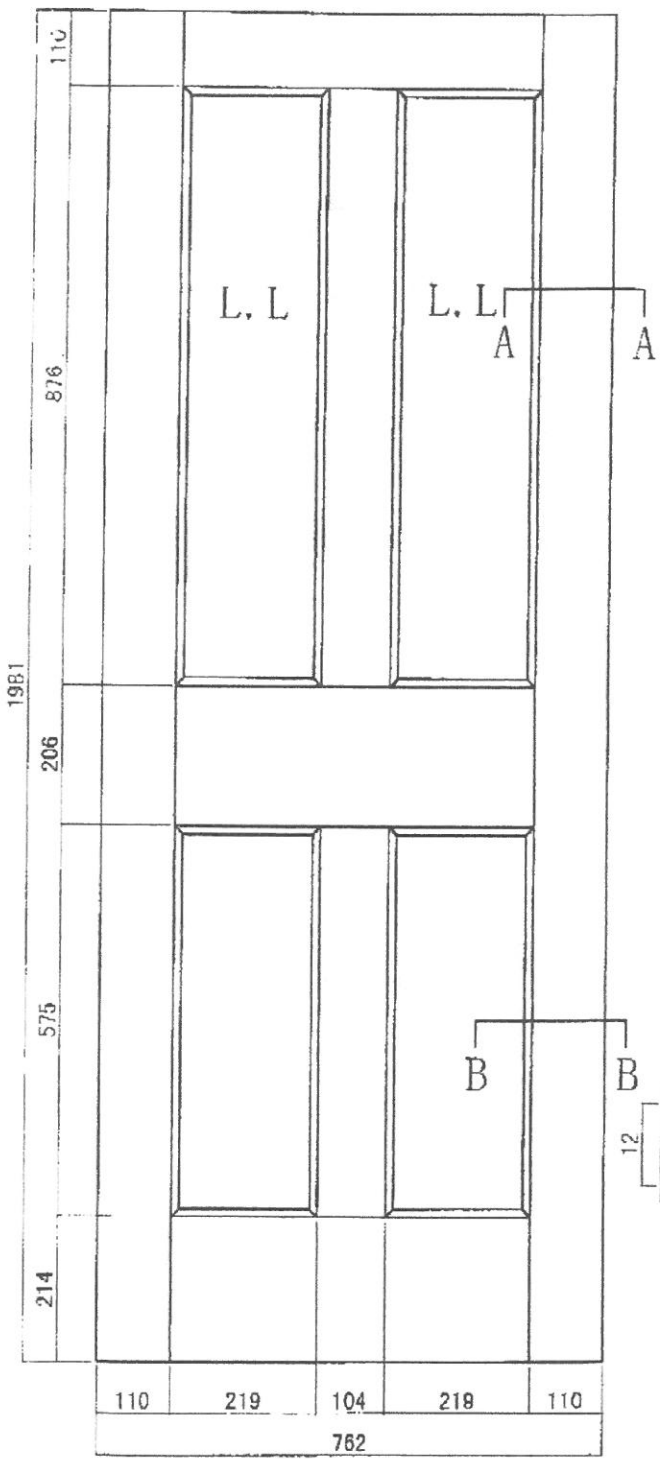


B-B 1:1

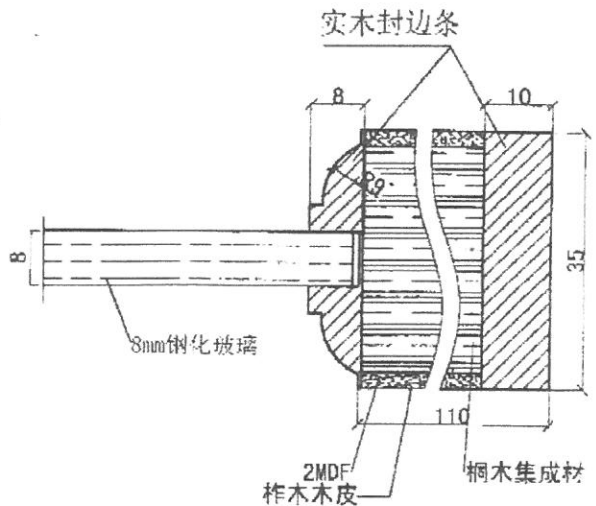


OAK DOOR		Preportion	1: 10	Varnished	No
		Quantity		Glazed	No
Drawing		PPMAL270AK			
Auditing					
Authorize					

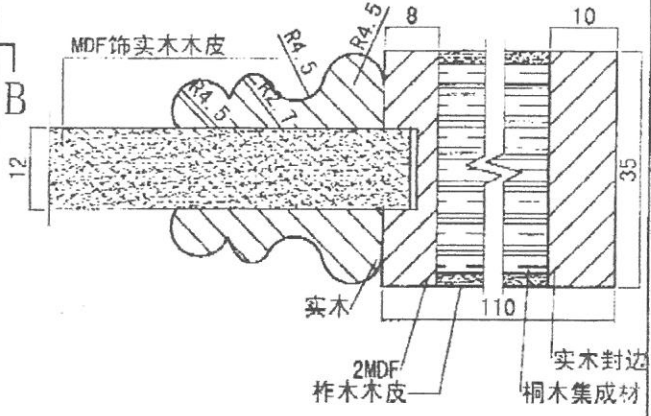
22



A-A 1:1

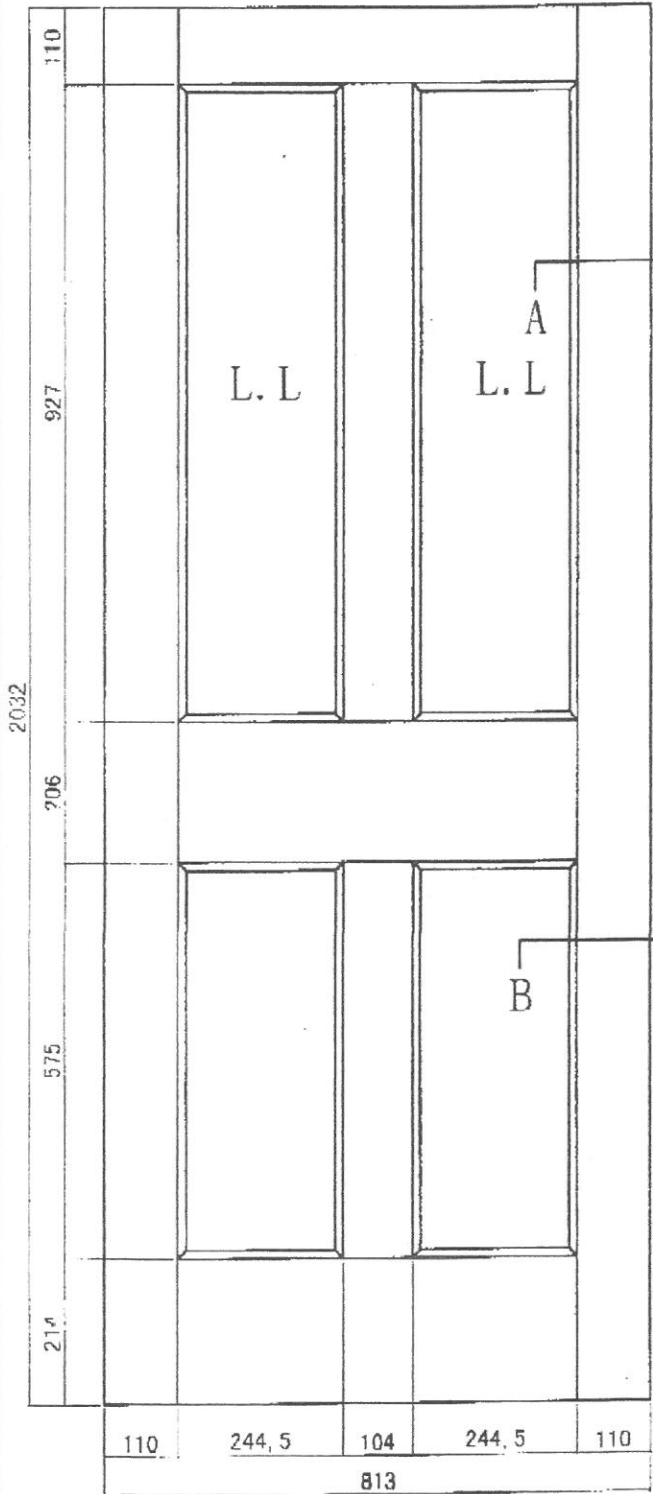


B-B 1:1

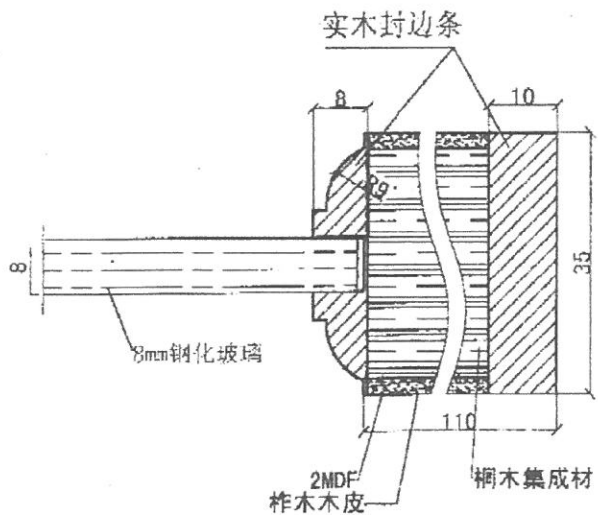


OAK DOOR		Preporlion	1: 10	Varnished	No
		Quantity		Glazed	No
Drawing		PPMAL300AK			
Auditing					
Authorize					

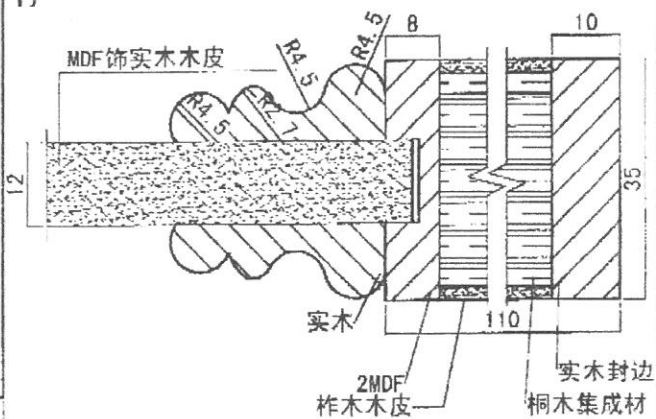
23



A-A 1:1

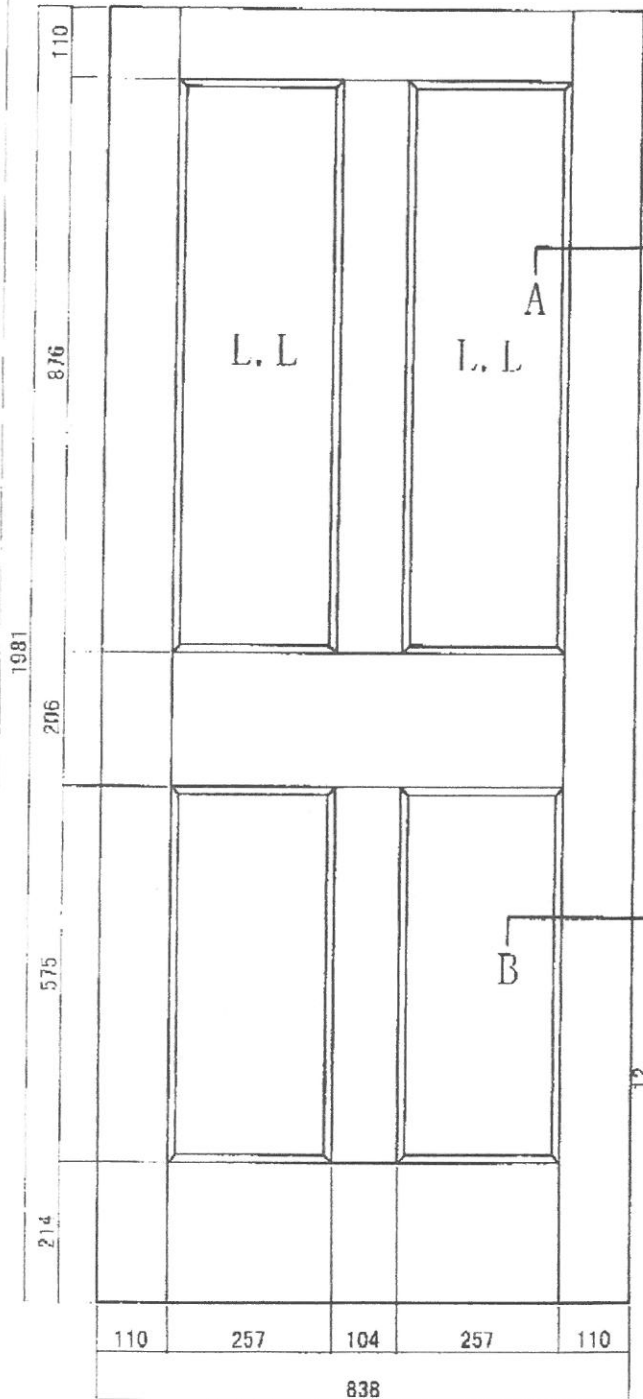


B-B 1:1

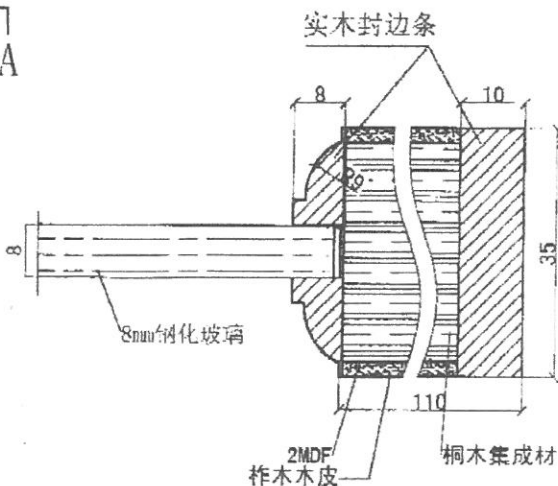


OAK DOOR		Preportion	1: 10	Varnished	No
		Quantity		Glazed	No
Drawing		PPMAL320AK			
auditing					
Authorize					

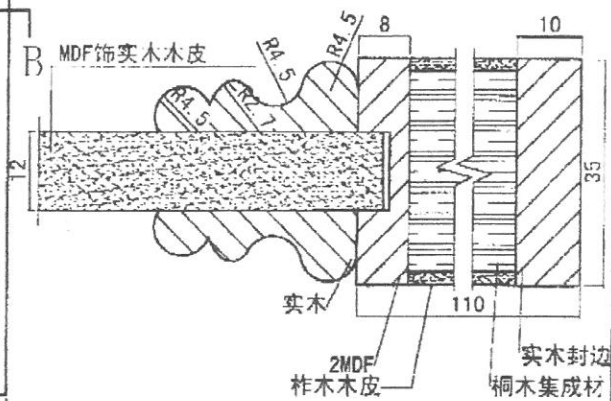
24



A-A 1:1



B-B 1:1



OAK DOOR		Proportion	1: 10	Varnished	No
		Quantity		Glazed	No
Drawing		PPMAL330AK			
Auditing					
Authorize					