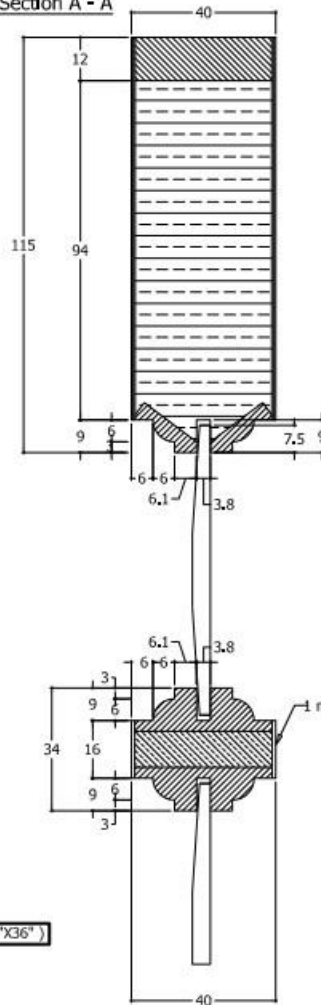
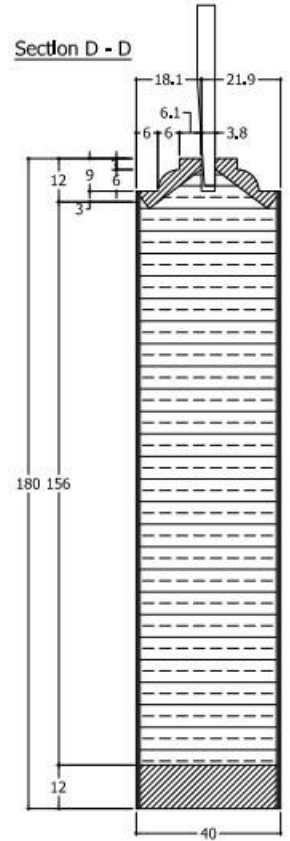


Section A - A



IMPORTANT !
 * Maximum Scrap of door Lipping 8 mm each side.
 * AVOID :
 ~ Direct Water.
 ~ Direct Sunshine.

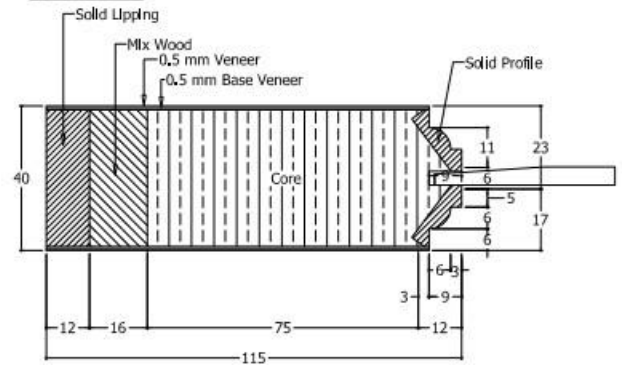
Section D - D



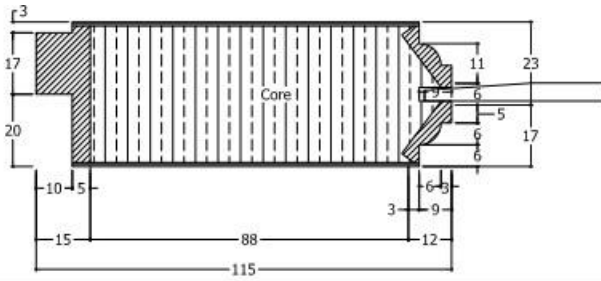
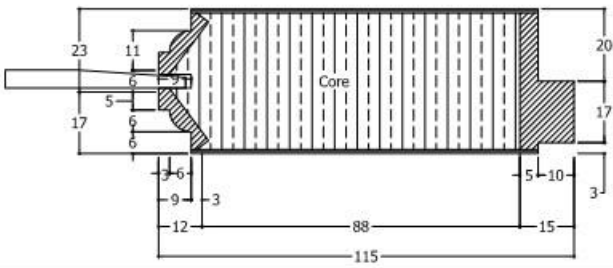
D

115	99	115	462	40x914x1981 mm (78"x36"
115	137	115	538	40x1066x1981 mm (78"x42"
115	162.5	115	589	40x1168x1981 mm (78"x46"
115	175	115	614	40x1219x1981 mm (78"x48"
115	213.5	115	691	40x1372x1981 mm (78"x54"
115	251.5	115	767	40x1524x1981 mm (78"x60"

Section B - B



Section C - C



Approved
Buyer :

Drawn



Name : GTPSA Pairs RHPO 78"		Checked : App
Description : Solid Engineering Door		
Customer : PKF - LPD		
Drawn : Rev/Date	Date :	Rev/Date :

May 12 , 2012