

BIFOLD

Fitting Instructions

HENDERSON

WATCH THE INSTALLATION VIDEO

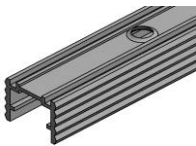
Visit: www.pchenderson.com/bifold-installation

Or scan the QR code using your phone

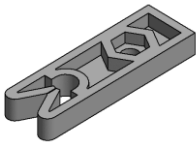


KIT AND DOOR SPECIFICATION					
Kit Short Code	No of Doors	Track Length	Max. Door Height	Max. Door Width	Door Thickness Range
B10/2	2	1067mm	2400mm	610mm	18 - 35mm
B15/4	4	1524mm	2400mm	610mm	18 - 35mm
B20/4	4	2134mm	2400mm	610mm	18 - 35mm
B25/4	4	3100mm	2400mm	610mm	18 - 35mm

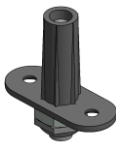
KIT CONTENTS - DEPENDING ON REQUIREMENTS



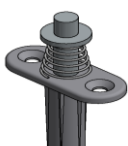
Track
2 Door: x 1
4 Door: x 2



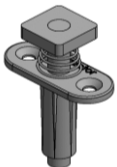
Top Pivot Socket
2 Door: x 1
4 Door: x 2




Bottom Pivot Body
2 Door: x 1
4 Door: x 2




Top Pivot Body
2 Door: x 1
4 Door: x 2




Guide
2 Door: x 1
4 Door: x 2



Bottom Pivot Plate
2 Door: x 1
4 Door: x 2




Butt Hinge
2 Door: x 3
4 Door: x 6



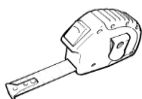
Aligner Pack
2 Door: x 0
4 Door: x 1

Screw Pack Contents	Quantity
Wood Screw CSK 3/4 x 6G	4
Thin Nut	1
Hex Screw	1
Top Pivot Clamp Plate	1
Bumper	1
Pan Head Screw	2
Wood Screw CSK 1 X 7G	24

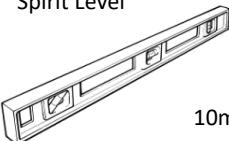
TOOLS REQUIRED



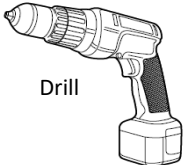
Posi
Screwdriver



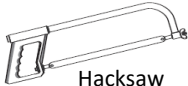
Tape
Measure




Spirit Level




Drill



Hacksaw

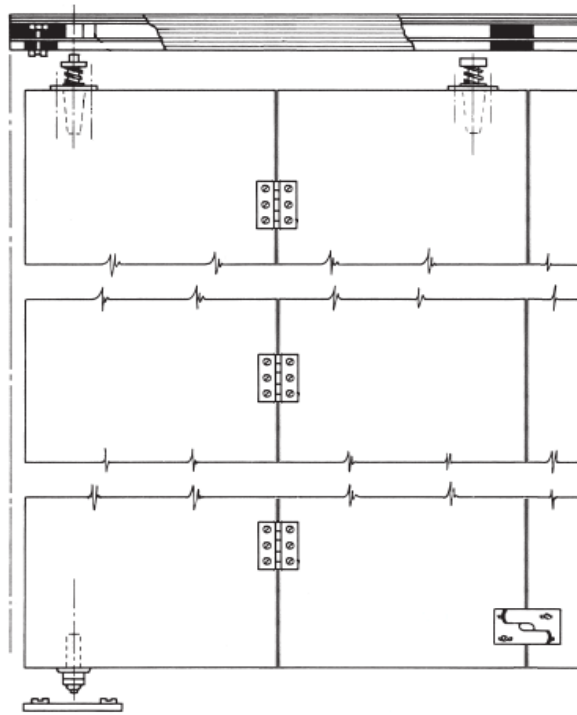
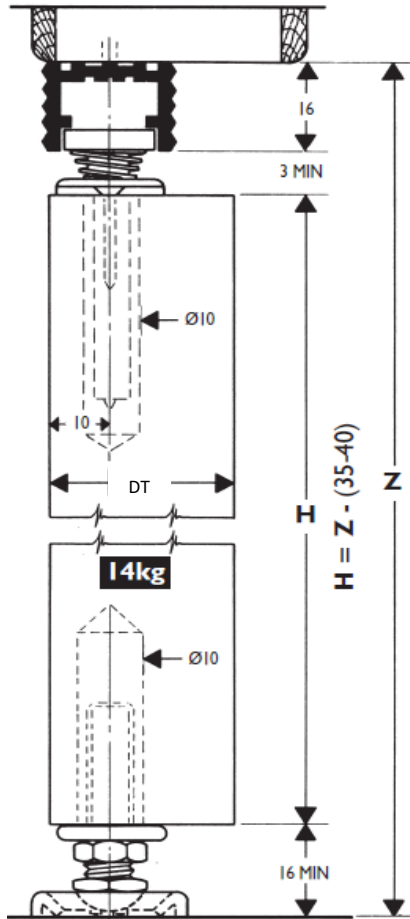


Spanner



10mm Drill Bit

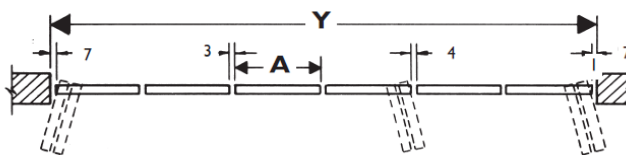
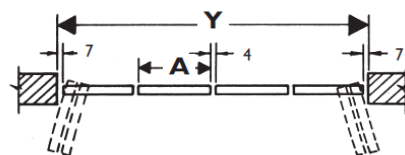
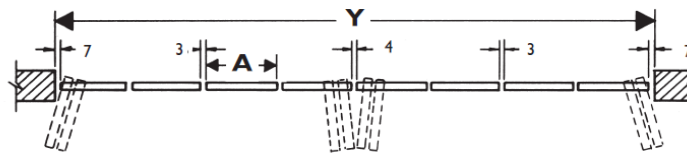
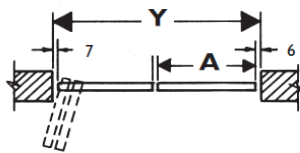
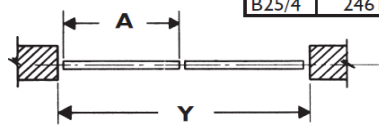
OVERVIEW



A = 610 Max.
DT = 18 - 35

KIT	Y(MAX)
B10/2	1067
B15/4	1525
B20/4	2135
B25/4	2461

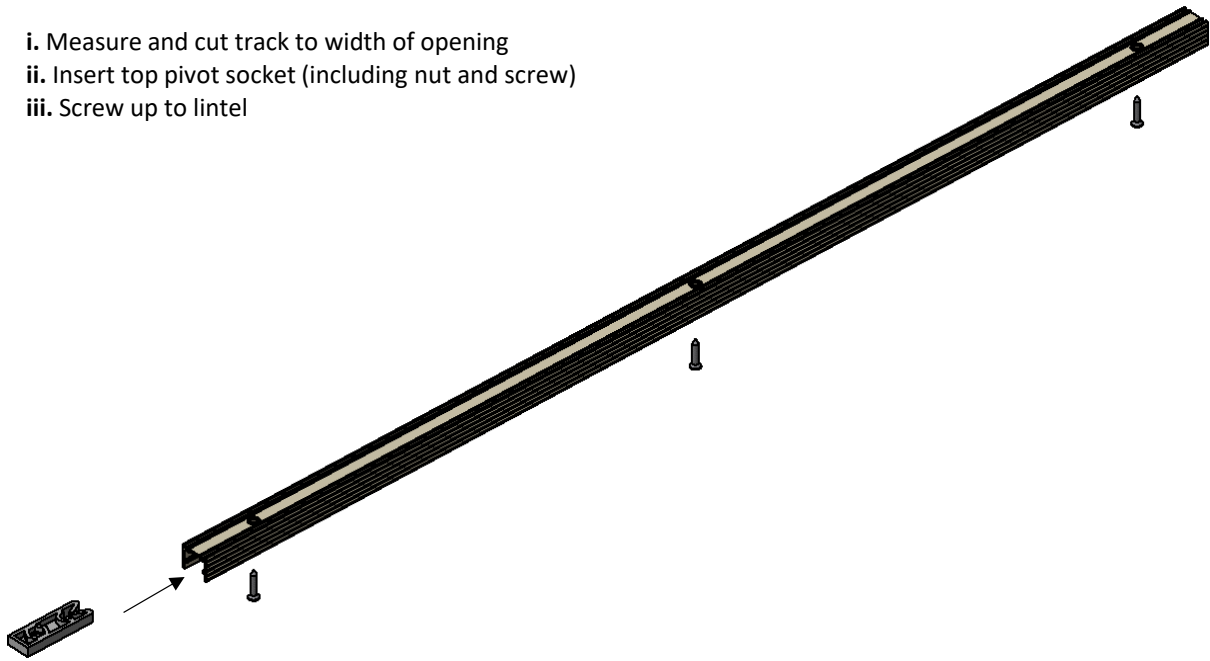
Doors	A = Door Width
2	$\frac{Y-14}{2}$
4	$\frac{Y-20}{4}$
6	$\frac{Y-24}{6}$
8	$\frac{Y-28}{8}$



STEP BY STEP FITTING INSTRUCTIONS

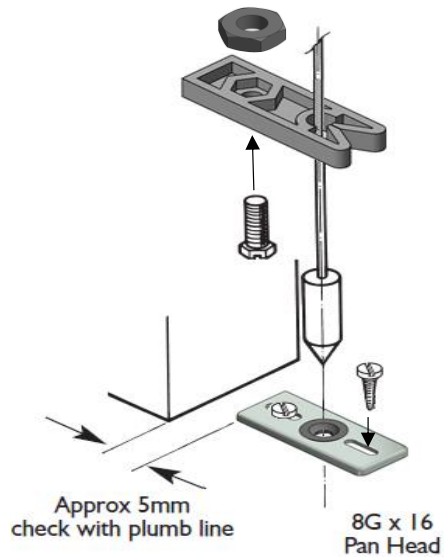
STEP 1: Prepare and fit track.

- i. Measure and cut track to width of opening
- ii. Insert top pivot socket (including nut and screw)
- iii. Screw up to lintel



STEP 2: Ensure guide is in-line with top pivot socket.

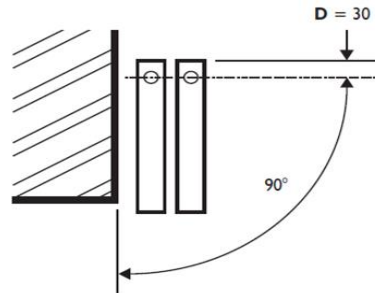
- i. Drop plumb line to get the centre of the guide plate so it is in-line with top pivot socket
- ii. Screw in place



STEP 3: Determine door layout.

Layout 1

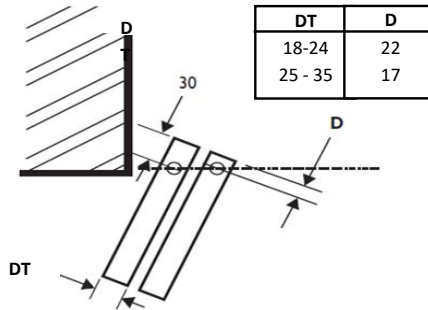
When the doors are required to stack perpendicular to the opening



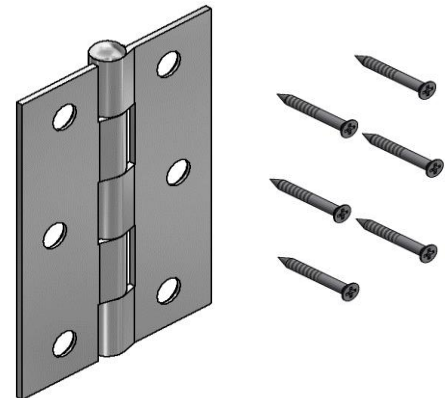
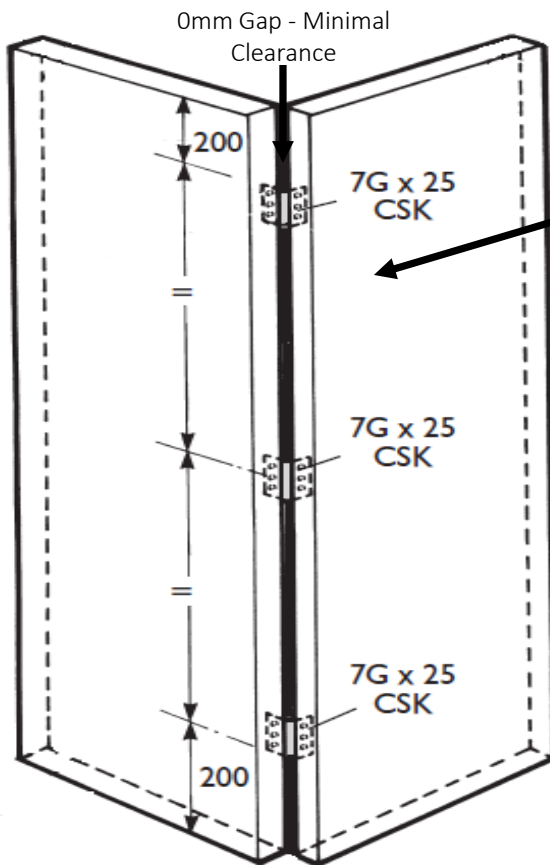
DT = Door thickness
D = Distance from edge of door

Layout 2

When the doors are required to stack at an angle to the opening, use the table to calculate the position of the sliding guide on the second door.

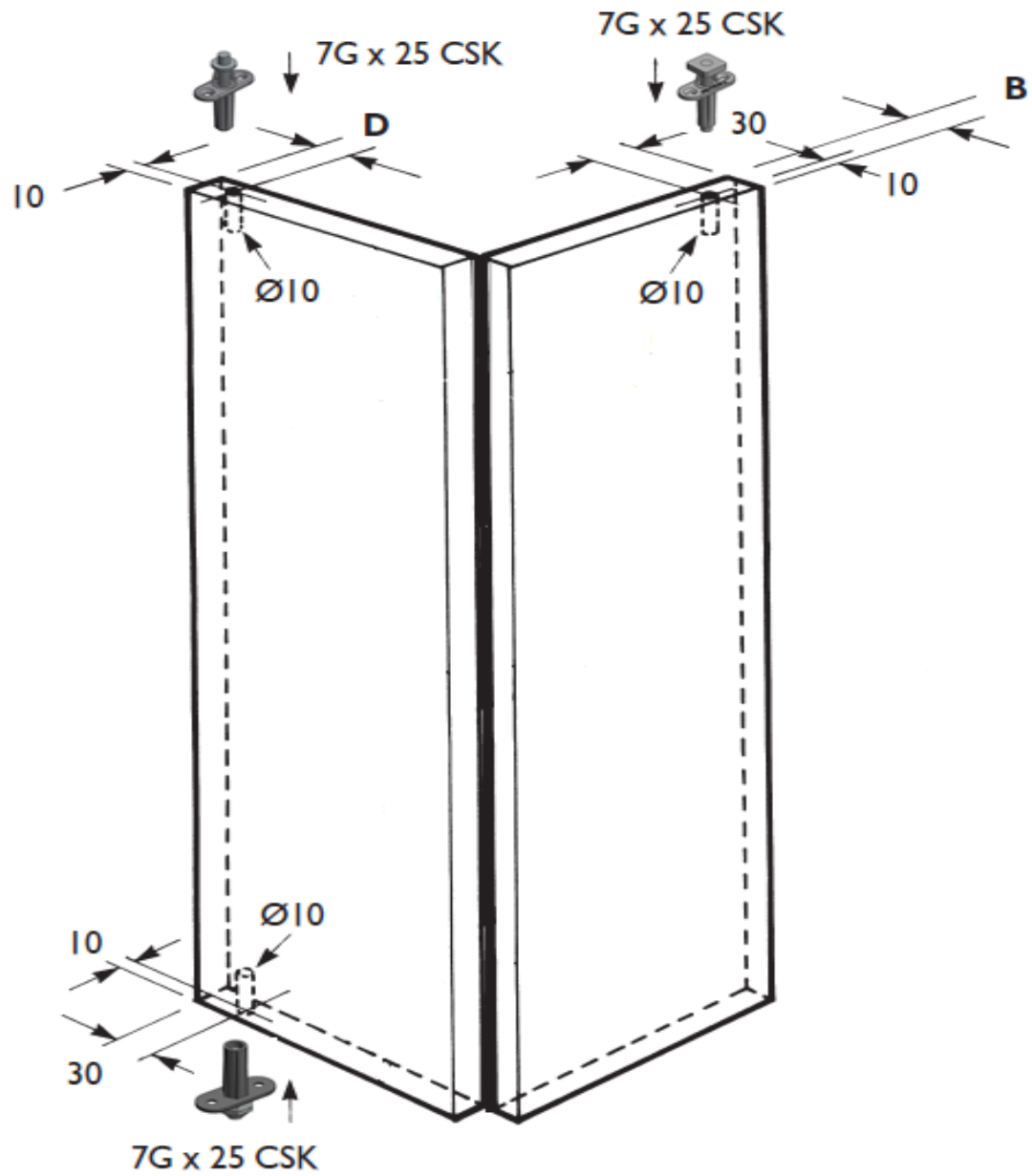


STEP 4: Affix butt hinges.



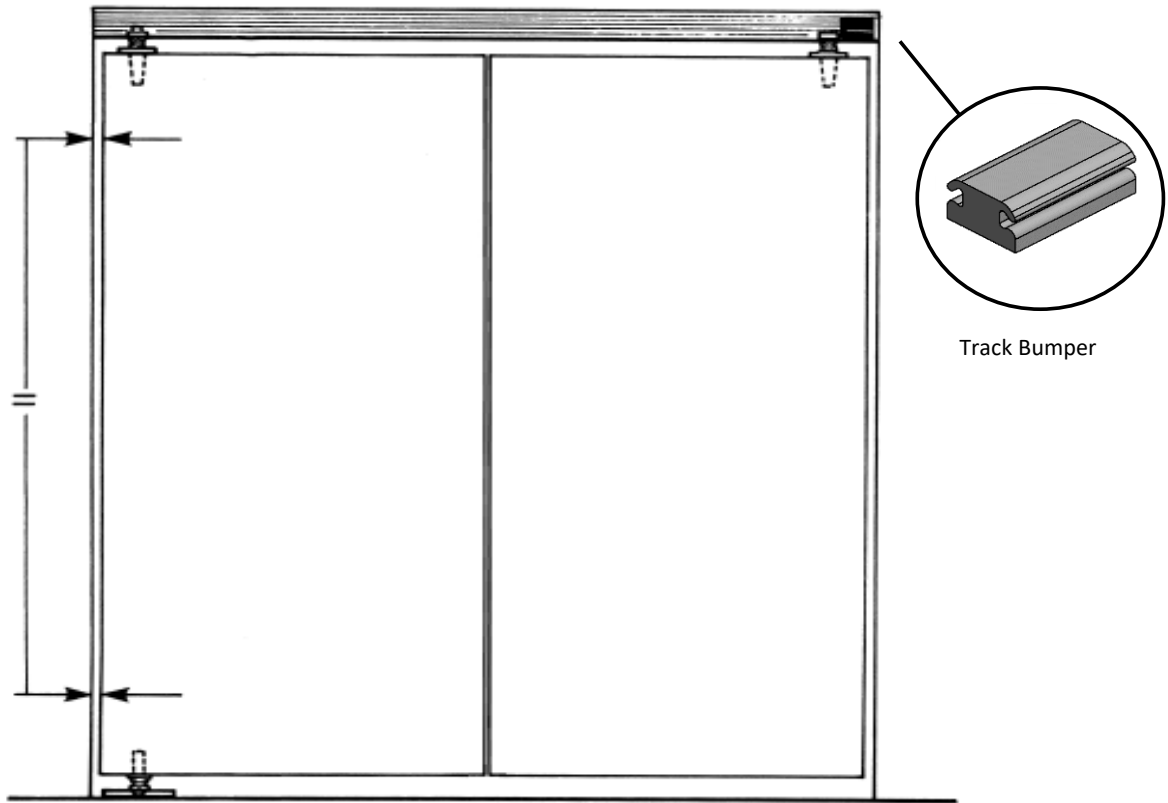
- i. Measure 200mm from top of door to identify where the top of the hinge should be affixed
- ii. Screw in
- iii. Measure 200mm from bottom of door to identify where the top of the bottom hinge should be affixed
- iv. Screw hinge to back face of doors
- v. Ensure the remaining hinge measures equal distance between the top and bottom hinges

STEP 5: Insert pivot bodies and guide.



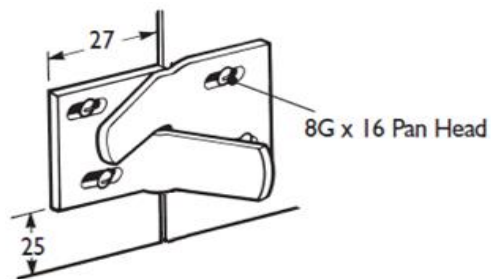
- i. With a drill and 10mm drill bit, using the measurements above, drill 10mm holes into the appropriate positions in the door.
- ii. Insert and screw top and bottom pivots and top guide in place

STEP 6: Hang doors



- i. Hang door by resting door on bottom pivot
- ii. Lift door set vertical and position top pivot under pivot socket in the track
- iii. Pull pivot spring down and release it into the pivot socket
- iv. Open pair of doors and pull down the slider and release into the bottom of the track
- v. Once doors fitted, insert track bumper into end of track

STEP 7: (4 door kits only) Affix aligner



Note:
This is not required
for the B10/2 Kit.

P C Henderson Ltd, Durham Road, Bowburn, Co. Durham, DH6 5NG, UK

UK Sales

t: +44 (0) 191 377 7345

e: sales@pchenderson.com

w: www.pchenderson.com

UK Registered Address: P C Henderson Ltd, Durham Road, Bowburn, Co. Durham, DH6 5NG

Republic of Ireland Registered Address: P C Henderson Ltd, Westlink Industrial Estate, Kylemore Road, Dublin 10, Ireland

Holland Registered Address: Henderson Nederland BV, Rootven 14, 5531 MB, Bladel

Export Sales

t: +44 (0) 191 377 7346

e: international@pchenderson.com

w: export.pchenderson.com

Part No. 300418

Issue 14

March 2020

