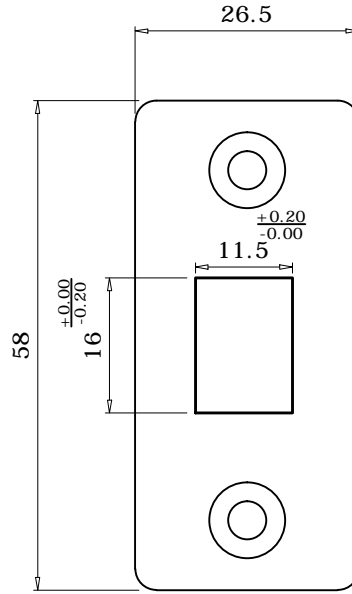
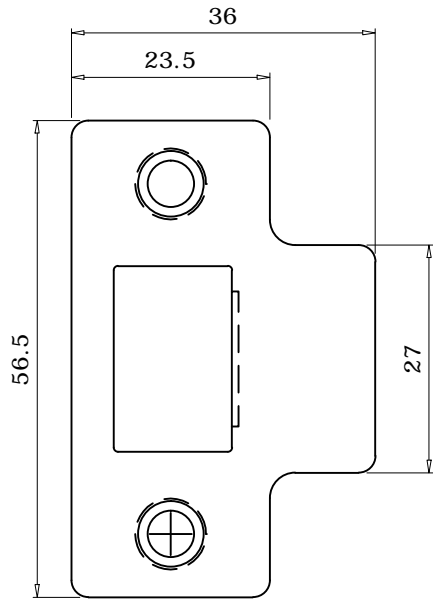
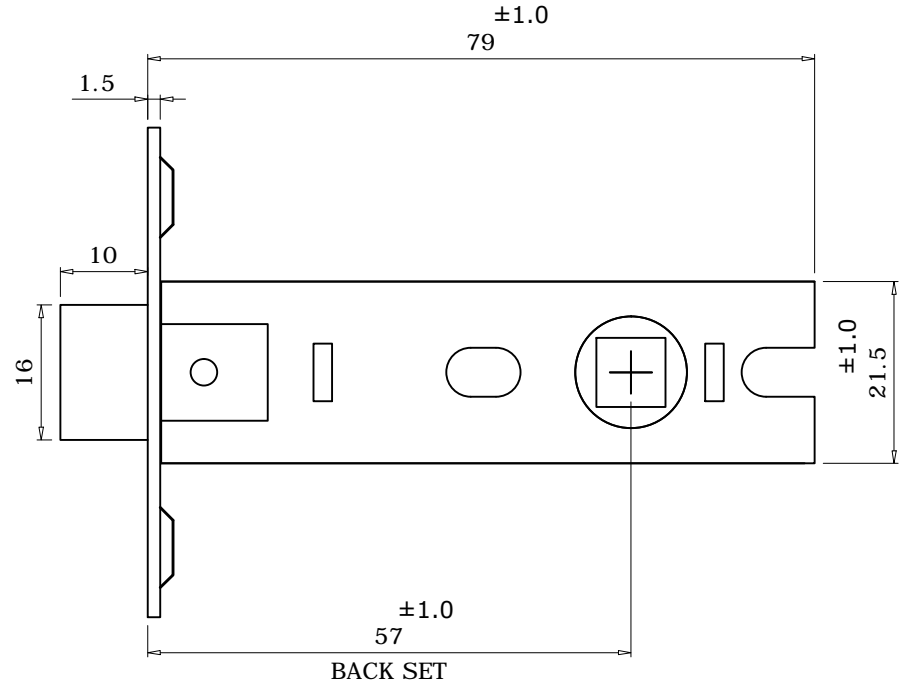


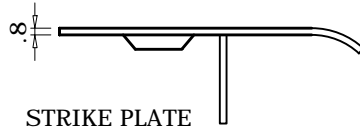
# 76mm H/Duty Tubular Mortice Latch (Code 224)



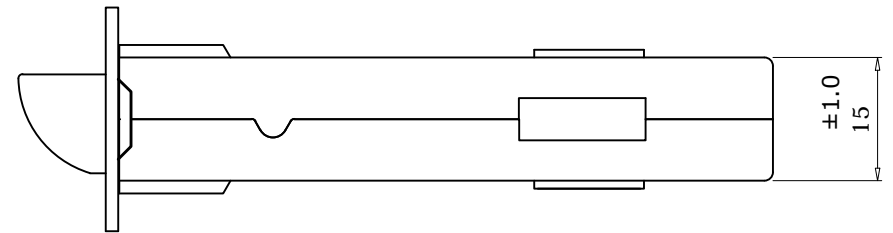
FACE PLATE



BACK SET



STRIKE PLATE



GENERAL TOLERANCE ±0.50

		DATE	NAME	
		DGN.	10-09-15	<i>H.L.S.</i>
PROJECT: - TUBULAR LATCH - (3") B.T. (CE)	PRODUCT CODE : 224 (224-1283)	DRW.	10-09-15	<i>H.L.S.</i>
		CHD.	12-09-15	<i>V. SPANIEL</i>
ALL DIMENSIONS ARE IN MM.				