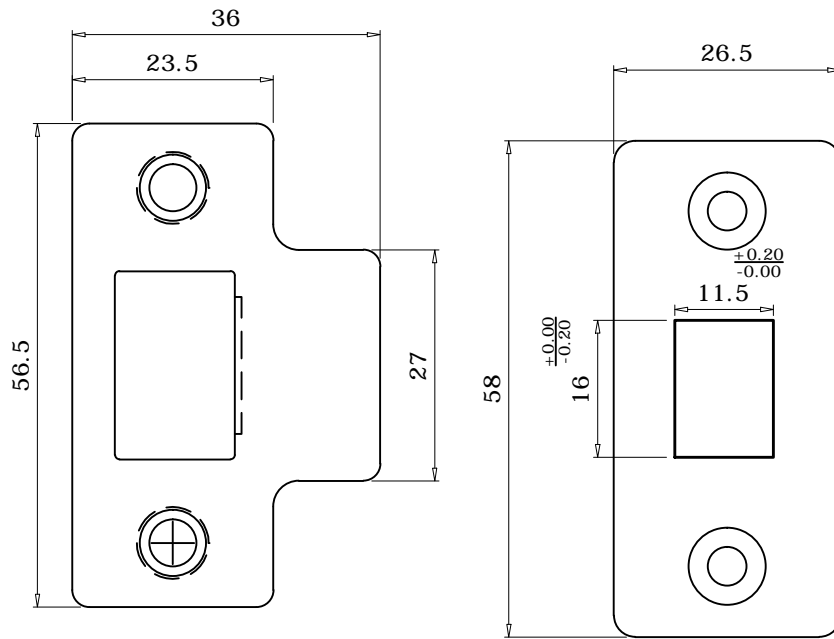
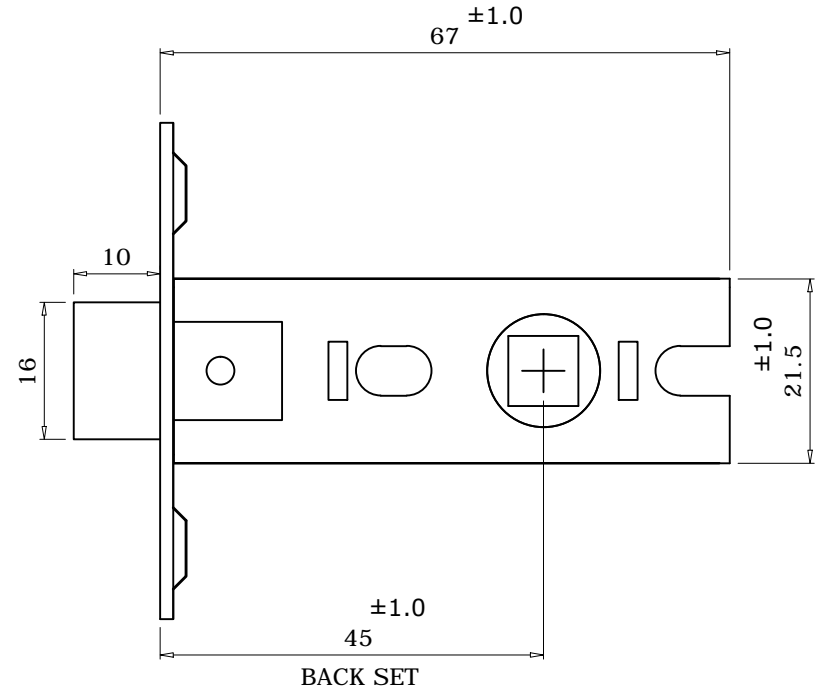


64mm H/Duty Tubular Mortise Latch (Code 934)

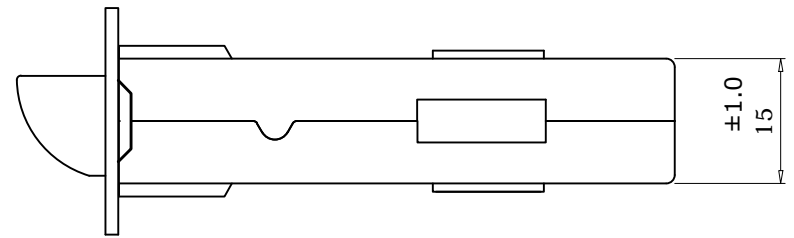


FACE PLATE


STRIKE PLATE



BACK SET



GENERAL TOLERANCE ± 0.50

FIRE  ESSENTIALS		DATE	NAME
	DGN.	10-09-15	<i>H.S.P.</i>
PROJECT:- TUBULAR LATCH - (2.5") B.T. (CE)	PRODUCT CODE :	DRW.	10-09-15
	934 (934-1283)	CHD.	12-09-15
ALL DIMENSIONS ARE IN MM.			